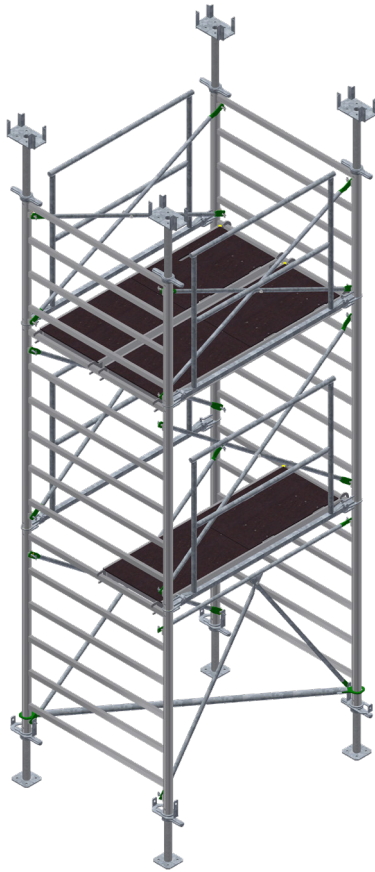




OBJECTIVES

Shoring for slab formwork for **all types of construction sites**, buildings and public works, with a ladder tower featuring integrated **collective safety during the assembly phase**.

STAFLEX NT24 shoring towers are the benchmark for quality and safety in the building industry: universal shoring towers that can be adapted to any type of construction site without changing the basic components and by simply adding optional accessories.



ADVANTAGES

- Maximum protection against the risks of falling from height.
- **Work floor planking, self-folding trap doors with hand guard, automatic anti-lift system, safety devices included in the specifications**, easy access to the interior.
- Maximum **protection against the various risks of handling and manipulation**,
- The widest range of use on the market, from small sites to large construction sites,
- Quality in the design, superior quality of the tower components: only one ladder tower manufactured in E36 steel, a «high resistance» steel: +50% resistance compared to other offers on the market (more resistance to shocks, more resistance to mechanical fatigue of reuses...).

CHARACTERISTICS

Available in several versions :

- Building version in steel or aluminum,
- up to 4T/feet with slide and up to 6T/feet with screw,
- TP version, up to 6,5T/leg in steel.
- Other versions: on consultation with our technical services.

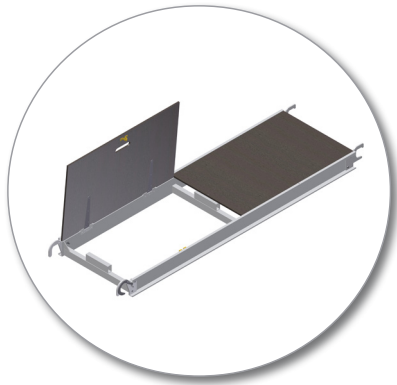
Dimensions :

- Standard width: 120 cm
- Standard length: 130, 160 and 210 cm
- Specific length: 70, 100 cm

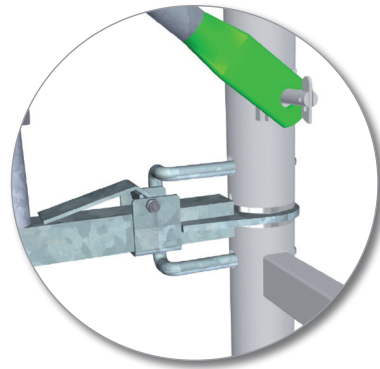
**STEEL OR ALUMINUM,
ALL COMPONENTS ARE
COMPATIBLE WITH
EACH OTHER**

Scan to consult
the technical
documentation



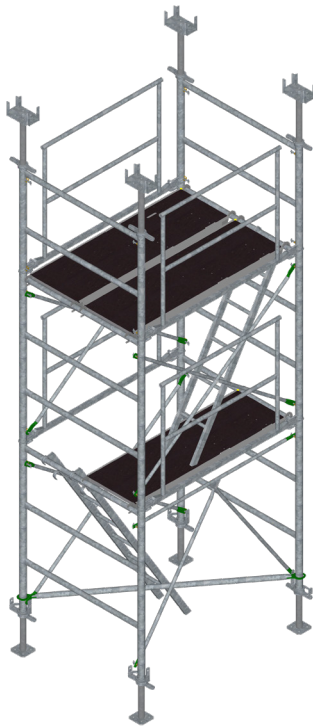


Aluminium platform
automatic trapdoor
self-locking system

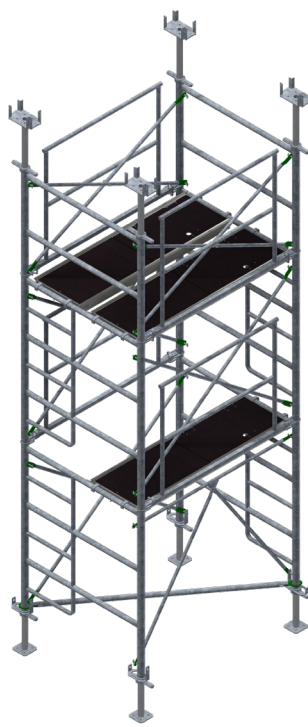


Integrated lock

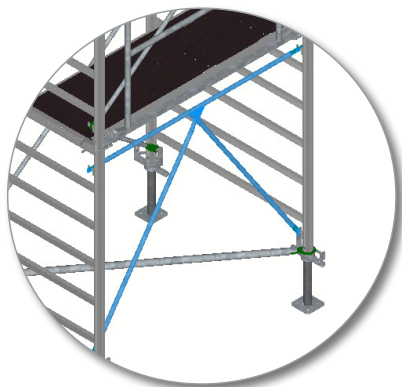
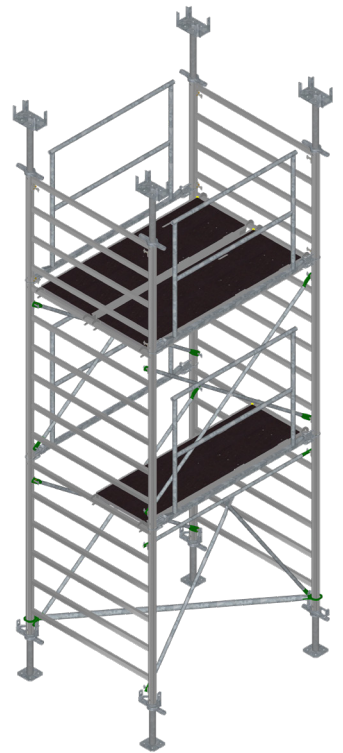
STAFLEX NT24
ACIER



STAFLEX NT24
ACIER ÉCHELLES INTÉGRÉES



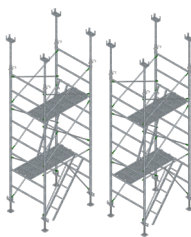
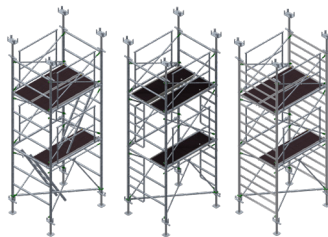
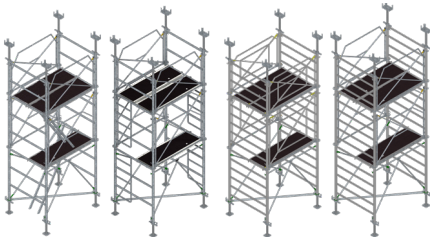
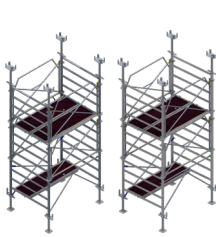
STAFLEX NT24
ALUMINIUM ÉCHELLES INTÉGRÉES



Access by
KV brace



Shifting trolley

	STAFLEX STANDARD		STAFLEX NT24			STAFLEX MULTIDYNAMIC				STAFLEX MULTIDYNAMIC ERGOLIGHT	
*ref. tour 120x160											
	STEEL base jack	STEEL inner tube	STEEL	STEEL integrated ladder	ALU integrated ladder	STEEL	STEEL integrated ladder	ALU integrated ladder (old frame guardrail)	ALU integrated ladder (new frame guardrail)	STEEL integrated ladder	ALU integrated ladder
LOADS /MAX FEET	6 TONS	4 TONS	6 TONS	6 TONS	5 TONS	6 TONS	6 TONS	5 TONS	6 TONS	5 TONS	
Max. weight handled	20.5 kg	20.5 kg	20.5 kg	25 kg	14.8 kg	20.5 kg	25 kg	13.8 kg	15kg	7.5kg	
Max. weight of stacked components	20.5 kg	20.5 kg	20.5 kg	25 kg	14.8 kg	20.5 kg	25 kg	13.8 kg	15kg	7.5kg	
Means of access	Mobile ladder		Mobile ladder	Integrated ladder		Mobile ladder	Integrated ladder				
Compliance			Technical note n°24 CRAMIF			Technical note n°24 CRAMIF	<ul style="list-style-type: none"> • Technical note n°24 CRAMIF • Functional requirement criteria and constructive layout of NF P93-551 • Access: A1/A2 - Filling: RL1 - Craning: G1 				
Safety performance	<ul style="list-style-type: none"> ■ Fall arrest harness mandatory 		<ul style="list-style-type: none"> ■ Guardrail incorporated in the overlay ■ Aluminium half-bearing with trapdoor ■ Integrated locking system 			<ul style="list-style-type: none"> ■ Guardrail incorporated in the overlay ■ Aluminium half-bearing with trapdoor ■ Integrated locking system ■ Automatic locking action ■ Built-in lifting points 					
Ergonomic performance	<ul style="list-style-type: none"> ■ Folding by shifting trolley ■ Craning 		<ul style="list-style-type: none"> ■ Access by KV brace ■ Folding by shifting trolley ■ Craning 			<ul style="list-style-type: none"> ■ Access by KV brace ■ Folding by shifting trolley ■ Craning 				<ul style="list-style-type: none"> ■ Ergonomic frames (1 m high only) ■ Access by KV brace ■ Folding by shifting trolley ■ Craning 	
Evolution						<ul style="list-style-type: none"> ■ Etalement multidirectionnel ■ Platelage entre tours ■ Platelage sous coffrage 					