



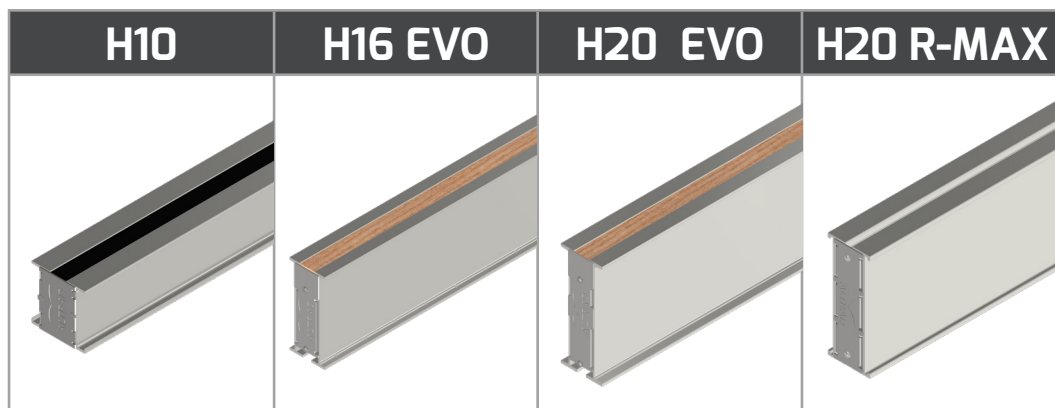
COFFRAGE
& ÉTAIEMENT
LOCATION
VENTE
MONTAGE



ALUMINIUM BEAMS

H10 . H16 EVO . H20 EVO . H20 R-MAX

ALUMINIUM BEAMS RANGE



DIMENSIONS				
Width (cm)	10	7	8	8
Height (cm)	10	16	20	20
Length (cm)*	290	240 360 480	240 360 480	180 240 360
Weight (kg/ml)	3.8	4	4.48	7.37
CAPABILITIES				
Bending moment (daN.m)	516	622	1380	1956
Shear force (daN)	3000	2470	3850	8000
Central support (daN)**	4430	3600	4400	8000
TECHNICAL SPECIFICATIONS				
Section area (cm ²)	13	12.77	16.98	27.29
Inertia moment I _{xx} (cm ⁴)	201.2	437.6	907.5	1 275
Inertia moment I _{yy} (cm ⁴)	124.5	63.7	92.9	176
Inertia modulus I _{x/v} (cm ³)	42.4	59.5	98.6	127.5
Inertia modulus I _{y/v} (cm ³)	24.9	18.2	23.2	44
Elastic limit stress (Mpa)	200	200	200	200
Young modulus (Mpa)	70 000	70 000	70 000	70 000
Plugs	Electrogalvanized plugs at the ends serving as reinforcements and fixed by means of a screw system.			
Standard	Complies with NFP 93-322 - Tested at the CEBTP.			

* Custom lengths possible.

**With support L_g > 120 mm or wood reinforcement, please consult us.

SALES

RENTAL

H10 EVO

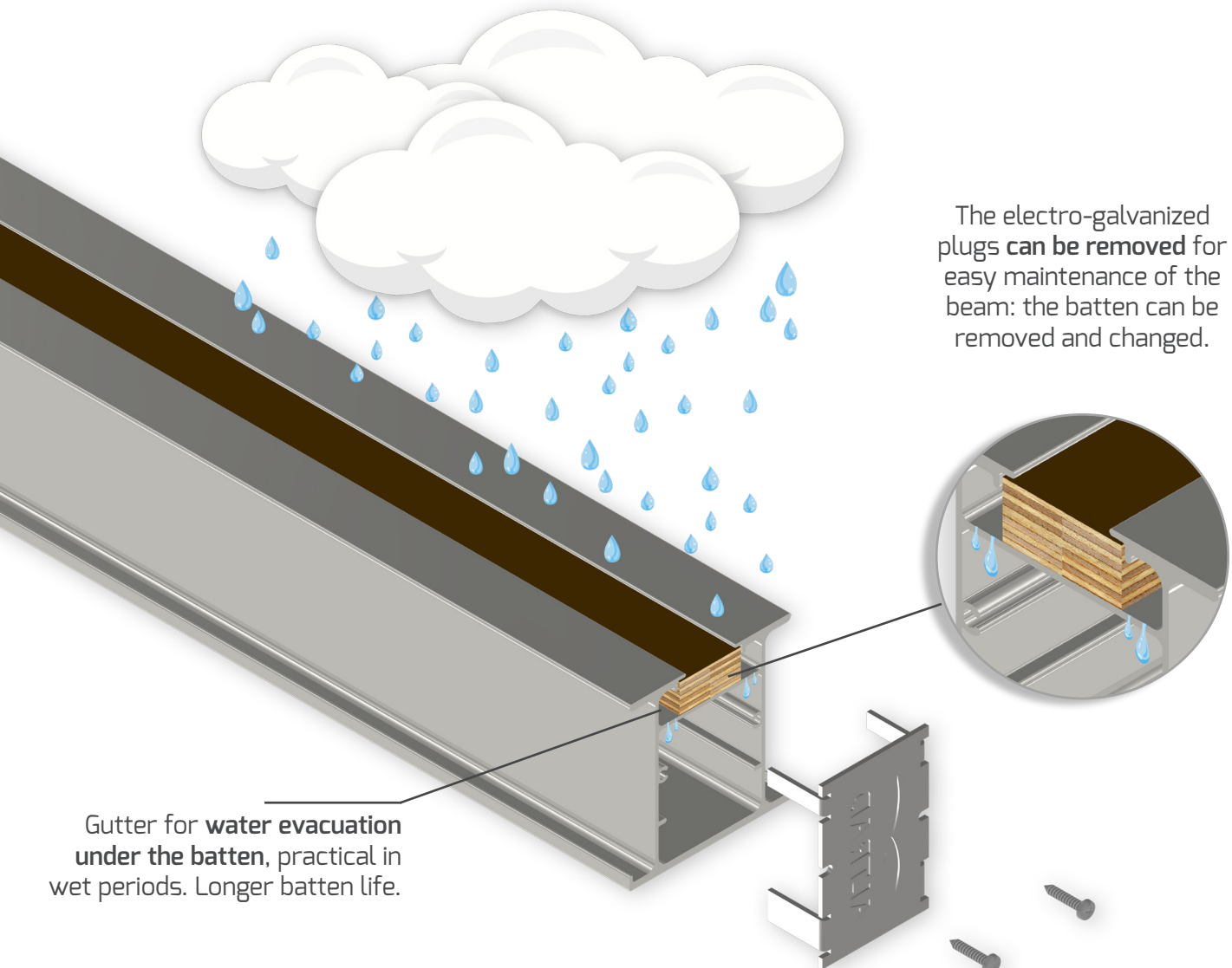
THE SAFE VALUE FOR AN ASSEMBLY IN COMPLETE SAFETY

OBJECTIVES

The H10 EVO beam allows the creation of a Safety Plus work platform that eliminates any risk of falling from height. This design is protected by a registered design. It is available in wood and aluminium versions to adapt to all types of building sites.

ADVANTAGES

- No risk of falling from height: 10 cm distance between each beam.
- Taking into account the **ergonomics of the workstation** of the construction site workers: natural circulation of the construction site workers (no long span for example) and easier handling due to the low weight of the aluminium beam.
- Flexibility of the implementation thanks to the possibilities of crossing the beams between them.
- **Adapted also to transfer slabs**: maximum admissible span 2m under a 60cm thick slab.
- Can also be adapted to **complex slab shapes** (ramps, arches for example).
- Allows to strongly reduce the thickness of the plywood in the case of a single pour (no reuse).

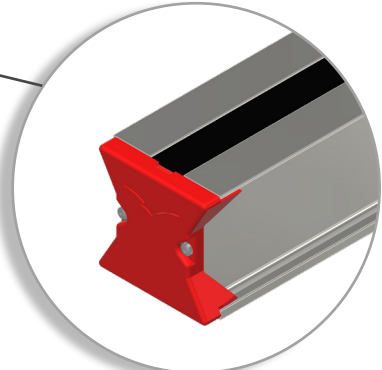
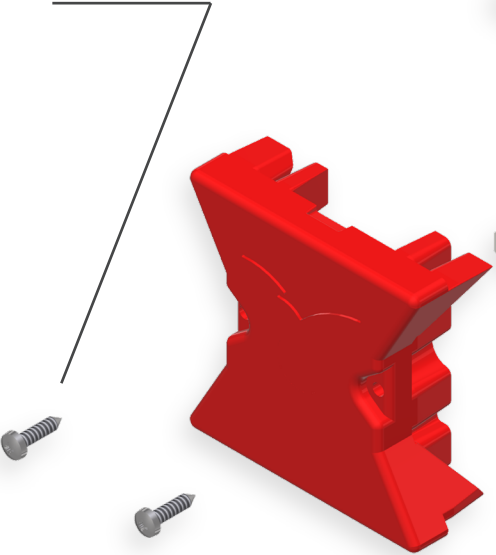


The electro-galvanized plugs **can be removed** for easy maintenance of the beam: the batten can be removed and changed.

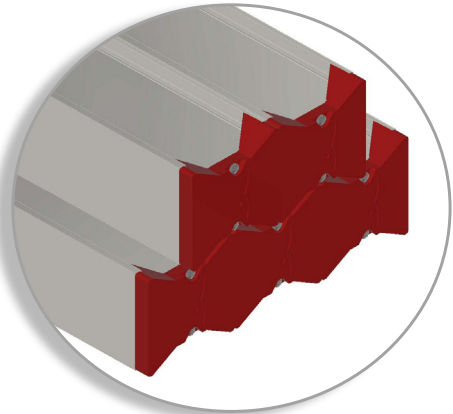
Gutter for **water evacuation under the batten**, practical in wet periods. Longer batten life.

**NEW CAP
H10 EVO
BEAM!**

It is fixed by means of the screws. For older generations of beams, the cap can be fixed laterally with the same self-drilling screws (4.8x19) by taking material from the inserted part.



New plastic cap with plastic cap with greater durability. Its ergonomic design allows it to absorb shocks and to support the fins of the aluminium profile thus preventing its deformation.



This allows the beams to be glued together in staggered rows to avoid the risk of falling when the beams are stacked.

H16 EVO

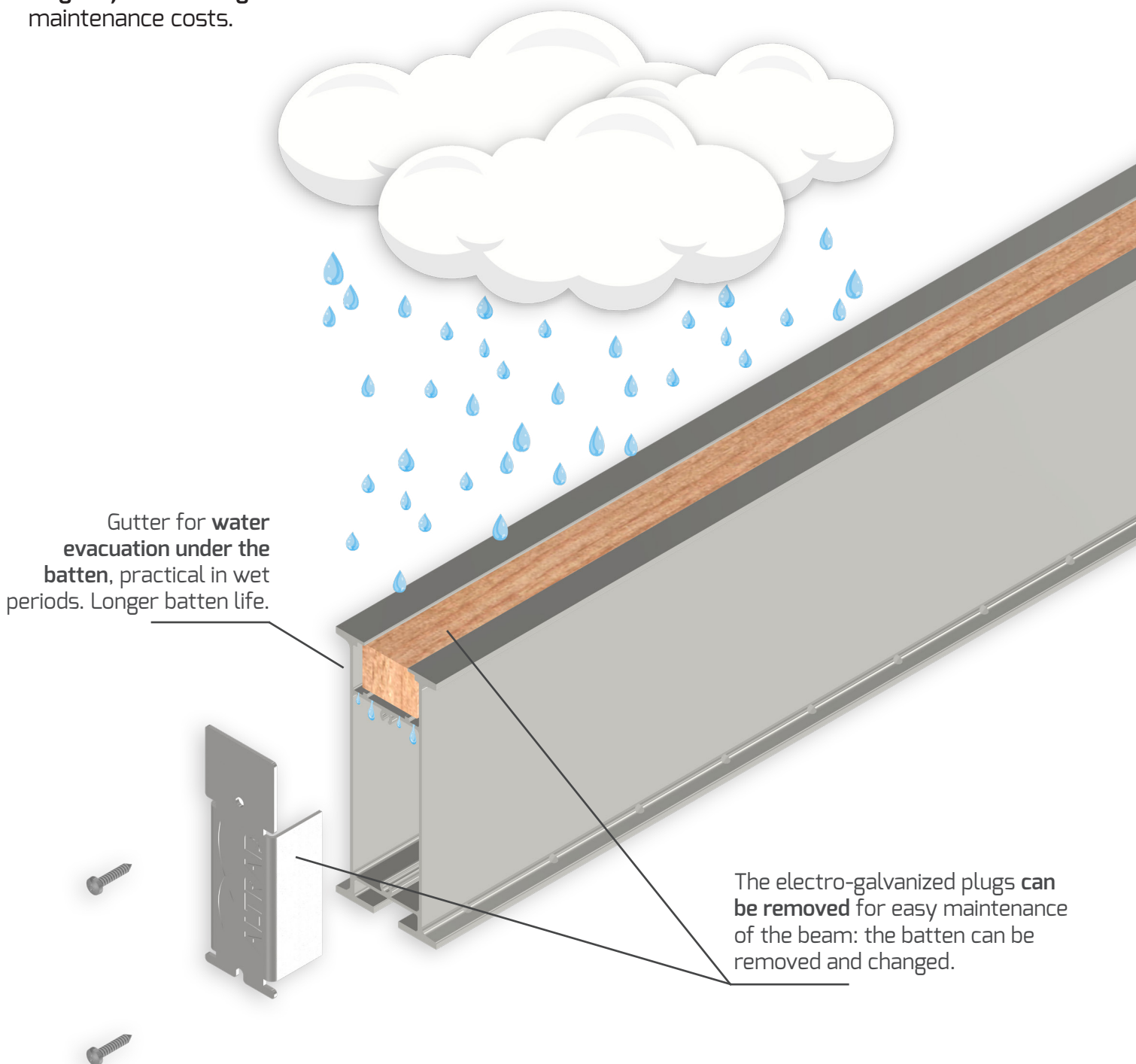
THE UNIVERSAL SOLUTION

OBJECTIVES

The aluminum beam H16 EVO is an evolution of the H16 beam facilitating the amortization of the product thanks to improvements directly serving **longevity** and **reducing** maintenance costs.

ADVANTAGES

- Long-life quality: durability of the aluminum material.
- Possible personalization: on the cap and the beam.
- **Metallic end reinforcement cap fixed by screw in a recess integrated in the profile** (track screw channel), removal / installation of the cap facilitated in case of end recutting. Longer life.
- Batten inserted in a slide, closed by the plugs, **easy removal and installation** of the battens for replacement.



H2O EVO

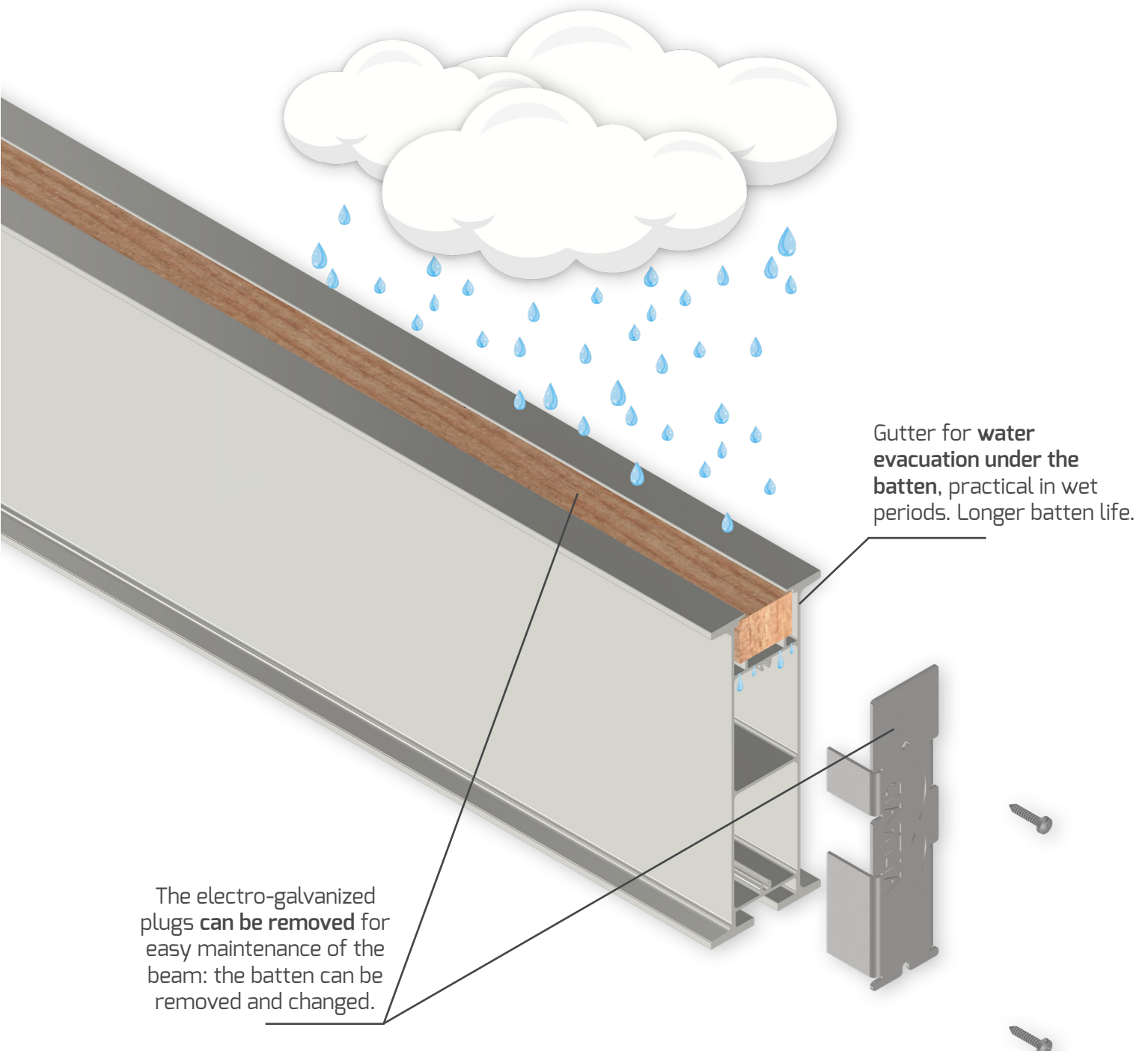
THE BEST WEIGHT / POWER RATIO

OBJECTIVES

This beam makes it possible to build a shoring with large spans between supports, with the possibility of **creating a traffic flow** between these supports (for example : carport...) The H2O EVO beam is an aluminium beam with a larger cross-section that allows higher mechanical performance and provides a global shoring solution (beams and shoring towers).

ADVANTAGES

- Excellent **mechanical performance and the best weight/performance ratio** on the market.
- Available in long lengths, up to 6m.
- Universal beam, recommended for all construction applications.
- **Ergonomics:** easy to handle and weighs only 4.48kg per ml.



H2O R-MAX

SPECIALLY DESIGNED FOR CIVIL ENGINEERING

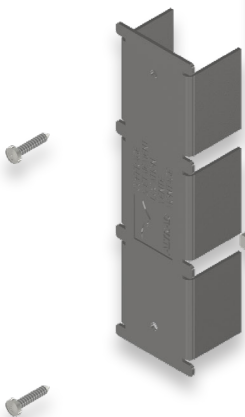
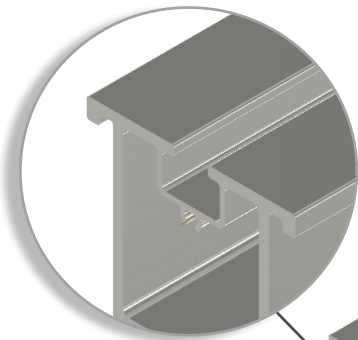
OBJECTIVES

The H2O R-MAX aluminum beam is the **first beam for transferring heavy loads in the field of heavy shoring**. It can be used at the head of a tower with a support reaction generated per foot of up to **8 tons**. This beam is particularly suitable for shoring in the field of Civil Engineering, as a primary beam in the framework of heavy deck formwork.

Electrogalvanized metal plugs at the ends serving as reinforcements and fixed by means of a system of track screw channel.

ADVANTAGES

- Girder equipped with electro-galvanized metal plugs at the ends serving as **reinforcements and fixed by means of a track screw system** guaranteeing the good holding of the plugs in intensive use,
- Rail present on the 2 flanges of the beam in order to be able to use
- The «clamps» are fixed by hammer head bolts,
- Primary beam, this one will be used on short spans between 1 m and 1.20 m, in order to **optimize the descent of the load** in phase with its capacity R (Reaction of support) of 8T in service.



Light beam



High load recovery

ACCESSORIES

BEAM RUNNER

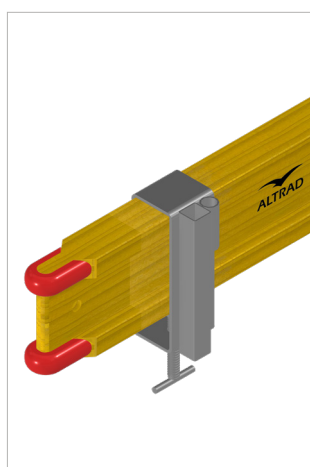
The beam runner are designed to fit on wooden shoring joists laid either on edge or flat.

Weight : 2.9 kg

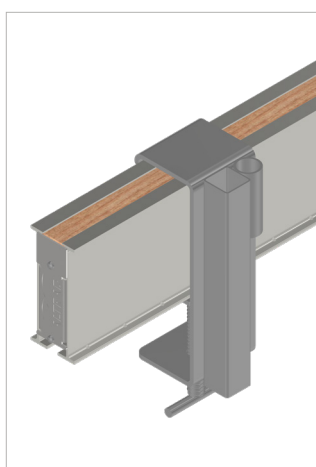
Ref. : 411 - 0065

- With post holes C35 and Ø25
- **Finish:** electro-galvanized or painted.
- **Implementation:** assembly with aluminium beams H16 EVO, H20 EVO, H20 R-MAX or wooden beam H20.

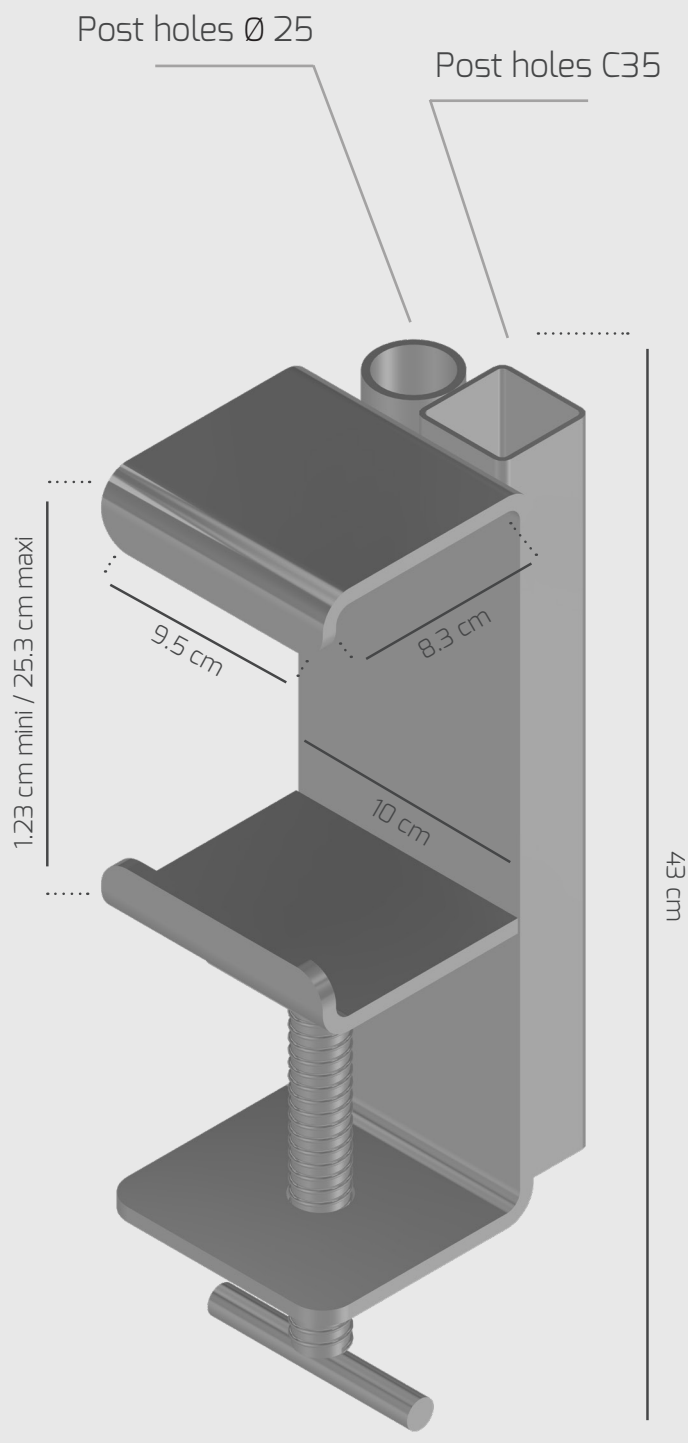
C-shape for a more efficient and fast implementation on site. The slide is safely positioned laterally (no danger to the operator when facing the vacuum).



Assembly with wooden beam H20



Assembly with aluminium beam H16EVO, H20 EVO or H20-R-MAX.





Altrad Coffrage & Etaisement sell and rent patented shoring and formwork solutions to major companies and SMEs in the building industry. Our strength is the management of the equipment fleet for our customers. Ensuring the preparation of orders, site monitoring, delivery organization, equipment availability and stock management is our core business. We also maintain the equipment on our depots so that it can be reused even better. Guaranteeing quality equipment is our priority.

Altrad Coffrage & Etaisement favours a relationship of trust and proximity with its customers thanks to the establishment of the various regional agencies and the presence of trained and available business managers. We also have an export department dedicated to international projects.

SIEGE SOCIAL & EXPORT

Zone D - PARC ACTIVITES LA

VERDIERE II - CS 40056

13655 VELAUX CEDEX

+33 (0)4 42 10 84 10

ace.contact@altrad.com

www.altrad-coffrage.com



COFFRAGE
& ÉTAIEMENT
LOCATION
VENTE
MONTAGE